

HIGH QUALITY AMERICAN MADE PREFORMED NICHES ADD STYLE & FUNCTIONALITY TO ANY CUSTOM TILE OR STONE SHOWER INSTALLATION

◆ DESCRIPTION

- Waterproof Coating is Ready to Tile & Meets ANSI 118.10 Requirements
- Strong & Lightweight - Easy to Handle
- Quick & Easy to Install - Save Time & Money
- Constructed of Lightweight High-Density Polystyrene
- Interior & Exterior Applications
- Can be Used in Kitchens, Hallways & Other Living Areas as a Unique Functional & Decorative Addition
- Several Sizes and Designs to Choose From

◆ INSTALLATION

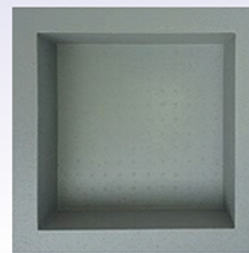
Compotite Preformed Niches are quick and easy to install and ready to tile. In general it is important that the unit is properly supported in place and that a waterproof seal has been established.

OPEN WALL INSTALLATION

- Determine the proper height and placement of the niche between the studs and mark them appropriately.
- Install horizontal cross bracing to support the top and bottom of unit (This step is recommended but not required for proper installation).
- Adhere niche to studs and cross members using Polyurethane adhesive/sealant on the back of the flange and contact areas.
- Install ½ inch backer board tight and flush to the ½ inch flange of the niche.
- Seal the seam between backer board and flange using Composeal AquaShell products or other waterproofing membrane. With liquid applied membrane, if the seam is greater than 1/8 of an inch, use 8" Composeal Reinforcing fabric (can be cut into 4" strips). Compotite Elastiseal can also be used to create a watertight seam.
- Alternatively: Seam can be sealed using the same method used to seam backer board (fiberglass tape and polymer fortified thinset).
- Install tile according to TCNA guidelines.

◆ AVAILABLE SIZES

Approximate dimensions - see reverse for exact specifications.



12" x 12" Square Niche
CN-S12



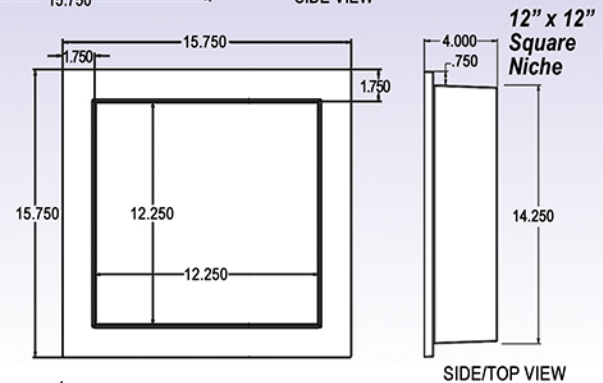
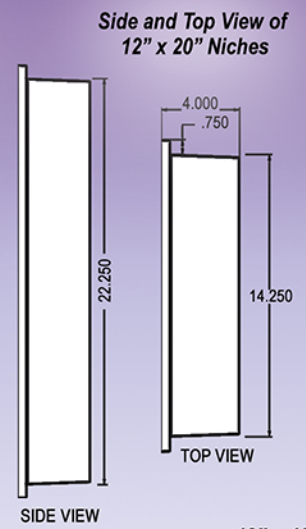
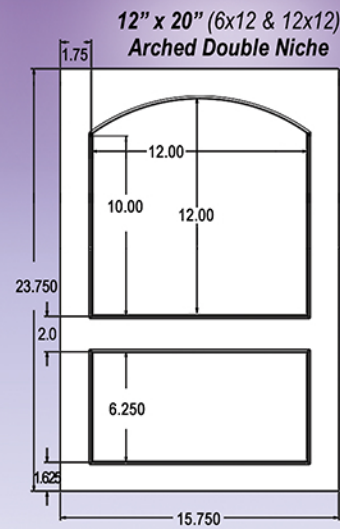
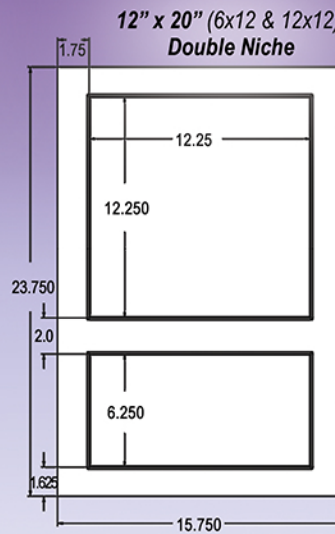
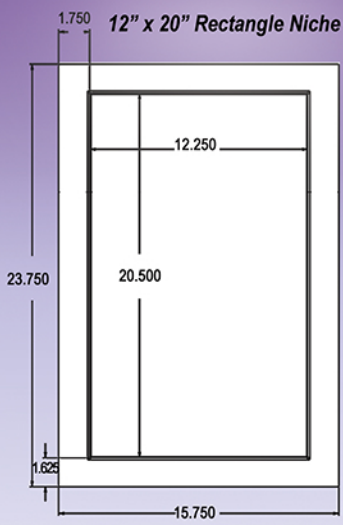
12" x 20" Rectangle Niche
CN-R1220



12" x 20" Double Niche
(6x12 & 12x12) **CN-D1220**



12" x 20" Arched Double Niche
(6x12 & 12x12) **CN-AD1220**



ONE SUBSTRATE PANEL INSTALLATION

- Determine stud location – Niche should fit well between studs that are 16 inches on center.
- Trace outer dimensions of flange making sure the body of the niche is lined up with the inside of the stud(s) and the flange overlaps the stud(s).
- Cut out the single section of backer board.
- If possible, install horizontal cross bracing above and below niche for added support.
- Adhere niche to studs and cross members using Polyurethane adhesive/sealant on the back of the flange and contact areas.
- Seal the seam between backer board and niche as described above in **Open Wall Installation**.
- Install tile according to TCNA guidelines.

TWO SUBSTRATE PANEL INSTALLATION

In the case where there are 2 layers of substrate panels

- Determine the desired height of niche and draw a horizontal reference line with a level.
- Place the back of the niche (not the flange) in the desired location using the reference line for level and trace around the edge.
- Cut through both panels and remove.
- Place the niche in the opening and trace around the flange.
- Cut out the superficial layer of backer board and remove.
- If possible, install horizontal cross bracing above and below niche for added support.
- Adhere niche to studs and cross members using Polyurethane adhesive/sealant on the back of the flange and contact areas.
- Seal the seam between backer board and niche as described above in **Open Wall Installation**.
- Install tile according to TCNA guidelines.

After niche is set in place check to make sure waterproof coating has remained intact from installation. If there are punctures or other compromises in the coating it is recommended to apply two coats of Composeal AquaShell or other liquid applied waterproofing membrane to ensure a waterproof seal.

◆ LIMITATIONS

- Niches must be covered with ceramic or stone tile.
- Niche installation and wall surfaces must have the structural integrity to support ceramic or stone tile.
- Do not use mastics, rubber solvents or ketones with this product.
- Avoid prolonged exposure to direct sun or weather.