

# EPS FOAM BENCHES

WATERPROOF | READY TO TILE | EASY TO INSTALL

### DESCRIPTION

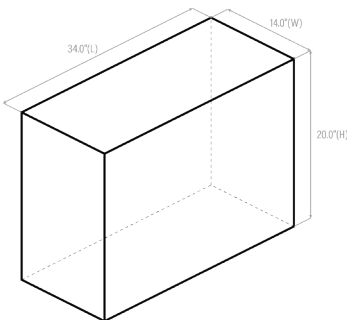
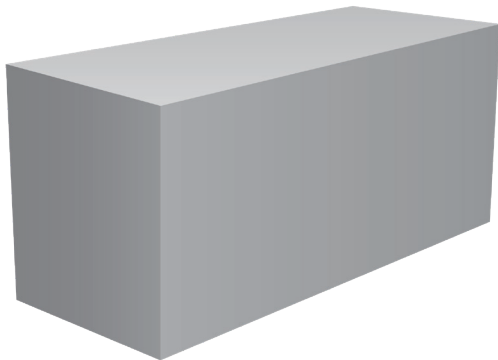
**High-quality, American-made shower elements add consistency, style, and functionality to any custom tile or stone shower installation**

- ◇ Waterproof Coating is Meets ANSI 118.10 Requirements
- ◇ Quick & Easy to Install - Save Time & Money
- ◇ Strong and Lightweight
- ◇ Constructed of High-Density Polystyrene
- ◇ Interior & Exterior Applications
- ◇ Can also be Used in Kitchens, Hallways, and Other Living Areas
- ◇ Several Sizes and Designs to Choose From
- ◇ Made in the USA
- ◇ **Custom Sizes Available**



### AVAILABLE STYLES/SIZES

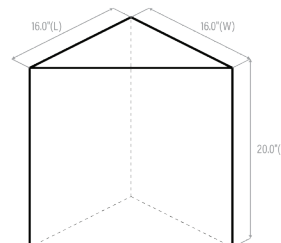
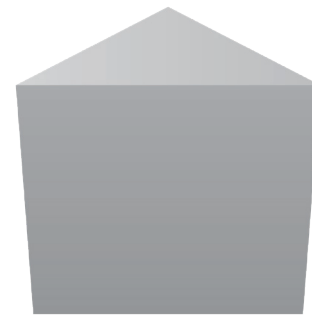
#### RECTANGLE BENCHES



**Available Sizes:**

- 36" L x 12" W x 20" H
- 34" L x 14" W x 20" H
- 36" L x 14" W x 20" H
- 42" L x 14" W x 20" H
- 48" L x 14" W x 20" H
- 54" L x 14" W x 20" H
- 58" L x 14" W x 20" H
- 60" L x 14" W x 20" H
- 66" L x 14" W x 20" H
- 36" L x 16" W x 20" H

#### TRIANGLE BENCHES



**Available Sizes:**

- 10" L x 10" W x 12" H  
(Mini Shaving Ledge)
- 16" L x 16" W x 20" H
- 18" L x 18" W x 20" H
- 23" L x 23" W x 20" H

*Compotite Benches are quick and easy to install and ready to tile. In general it is important that the unit is properly supported in place and that a waterproof seal has been established.*

## COATED BENCH INSTALLATION

---

1. Compotite Coated Benches are waterproof and ready to install.
2. The bench needs to be installed with walls that are plumb and square for best results. Place the unit in the desired position to make sure a relatively snug fit will result upon installation.
3. Prior to installation, waterproof the entire area behind the unit using Composeal Aqua Shell RS Liquid Applied Waterproofing Membrane or similar, according to manufacturers instructions.
4. Once dry use a ½" square notch trowel to apply a latex modified thin set mortar to the floor and walls according to ANSI 108.10 guidelines. Slide the unit in place with maximum surface coverage.
5. Once mortar is set apply a minimum of 4 inch strips of Composeal Reinforcing Fabric with Liquid Applied Waterproofing Membrane to each seem between the unit and the wall and floor.
6. Allow membrane to dry before installing your tile. Ideally, you will waterproof the entire shower enclosure using a Liquid Applied Waterproofing Membrane to ensure maximum protection from secondary water damage.

*After bench is set in place check to make sure waterproof coating has remained intact from installation. If there are punctures or other compromises in the coating it is recommended to apply two coats of Composeal AquaShell or other liquid applied waterproofing membrane to ensure a waterproof seal.*

## LIMITATIONS

---

- ◇ Benches must be covered with ceramic or stone tile.
- ◇ All surfaces must have the structural integrity to support ceramic or stone tile.
- ◇ Do not use mastics, rubber solvents or ketones with this product.
- ◇ Avoid prolonged exposure to direct sun or weather.