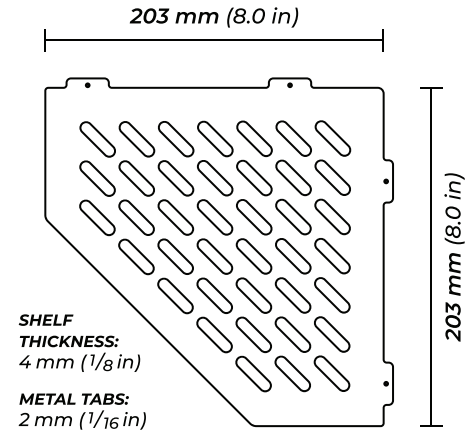


DESCRIPTION

Compotite Corner Shelves are your ultimate solution for sleek and functional shower storage. These shelves are the perfect blend of form and function, providing convenient storage for essentials. They seamlessly match with Compotite Linear Drain Grates. These shelves are compatible with any grout spacing and are easily installed in any bathroom remodel or new construction. Their simple installation saves time and hassle. Say goodbye to clutter and hello to organized elegance.

- ◇ Corner Shelf 8"x8"
- ◇ Made of Stainless Steel
- ◇ No Rusting Guaranteed
- ◇ Self Draining Shelf
- ◇ Easy Installation
- ◇ 2mm Thick Compatible with Any Grout Spacing
- ◇ Perfect for Both Remodels and New Installations
- ◇ Matching Finishes and Designs with Compotite Linear Drain Grate



INSTALLING A SHELF DURING TILE INSTALLATION:

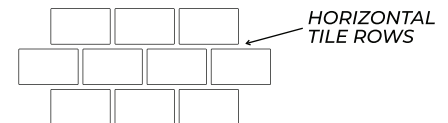
1. Determine the desired location of the corner shelf.
2. Ensure grout joints are large enough for the metal tabs of the corner shelf 2mm (1/16 in) to fit into. Refer to troubleshooting point #2 if grout joints are too small.
3. Dry fit the tabs in the space between the tiles to ensure a proper fit.
4. When the tabs fit into the space properly, apply Compotite Elastiseal Pro or other adhesive (e.g. silicone or polyurethane). Then push shelf firmly into place.
5. Once the adhesive has dried, grout in the shelf.
6. Wait 24 hours and the shelf is ready to use.

INSTALLING A SHELF AFTER TILE IS INSTALLED AND GROUTED:

1. Determine the desired location of the corner shelf.
2. Remove the grout between the tiles where shelf will be installed.
3. Ensure grout joints are large enough for the metal tabs of the corner shelf 2mm (1/16 in) to fit into. Refer to troubleshooting point #2 if grout joints are too small.
4. Dry fit the tabs in the space between the tiles to ensure a proper fit.
5. When the tabs fit into the space properly, apply Compotite Elastiseal Pro or other adhesive (e.g. silicone or polyurethane). Then push shelf firmly into place
6. Once the adhesive has dried, grout in the shelf.

TROUBLESHOOTING POINTS

1. Best if tile is on a horizontal straight row so the tabs rest evenly on the tile.



2. If grout joints are smaller than the metal tabs (2 mm / 1/16 in), a diamond grinder wheel can be used to cut the tile to make the joint large enough to fit the tabs. (Always wear safety glasses and be sure not to penetrate the waterproofing behind the tile)

