

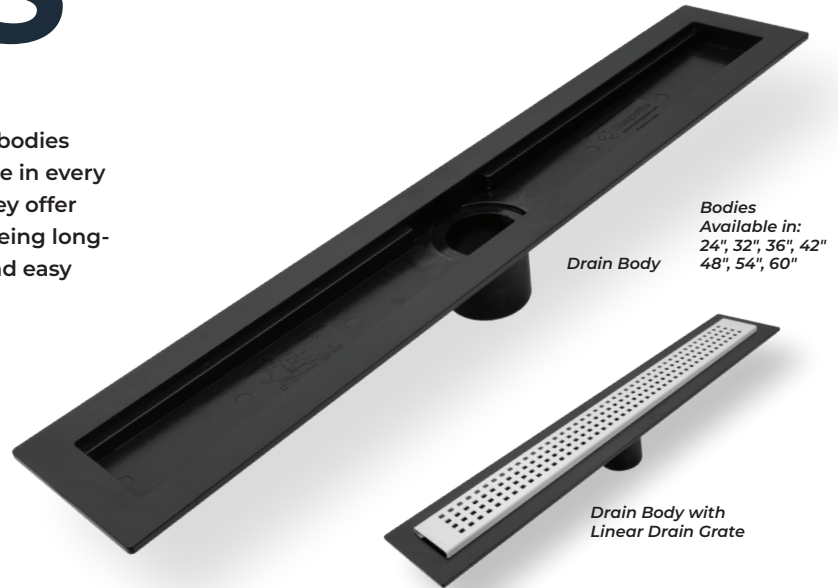
LINEAR DRAIN BODIES

DESCRIPTION

Engineered for efficiency and durability, these drain bodies ensure seamless integration and reliable performance in every installation. Crafted with high-quality ABS plastic, they offer superior strength and corrosion resistance, guaranteeing long-term reliability. Plus, with their lightweight design and easy installation process, you'll breeze through projects.

PROPERTIES

- ◇ ABS one piece injection mold construction
- ◇ Easy to install and great access to plumbing
- ◇ Integrated hair trap to prevent clogs
- ◇ Sloped internal body for efficient drainage
- ◇ 1" textured bonding flange for excellent adhesion to waterproofing membrane
- ◇ 7 sizes compatible with other linear drain systems



LINEAR DRAIN BODY CUT & CAP

- ◇ Reduce the length of drain body to any custom size
- ◇ ABS One-Piece Injection Mold Construction
- ◇ Modify to fit any size or accommodate any offset plumbing.
- ◇ Snaps securely in place

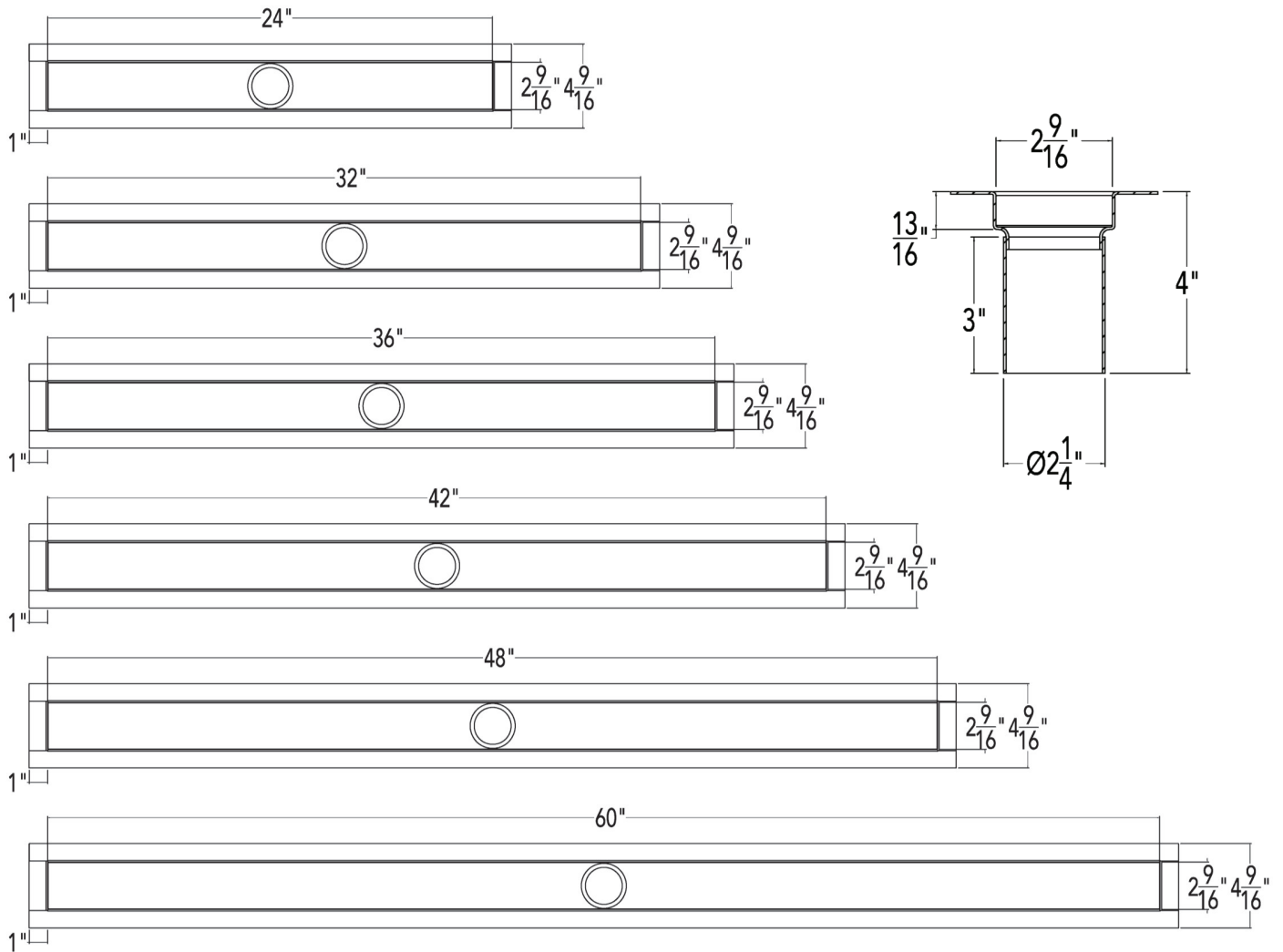


LINEAR DRAIN BODY EXTEND-O-CAP

- ◇ Extend 42" drain to a max 60" & accommodate for offset plumbing
- ◇ ABS One-Piece Injection Mold Construction
- ◇ Extends 42" linear drain body to maximum of 18.5" total extension
- ◇ Modify drain outlet position to accommodate offset plumbing situations
- ◇ Snaps securely in place



LINEAR DRAIN BODIES



TILE-IN TOP

TILE-IN TOP

The Tile-In Top is designed to create a streamlined opening around the perimeter of the drain. It is removable for easy access to the Hair Strainer (included) and the drain body.

PROPERTIES

- ◇ ABS one piece injection mold construction
- ◇ Easy to install
- ◇ Easy to remove for cleaning and access to plumbing
- ◇ Available in 24", 32", 36", 42", 48", 54", 60"



Tile-In Top

TILE-OVER TOP

TILE-OVER TOP

The Tile-Over Top is designed as a permanent support to lay large format or other tile on top of the linear drain body with a single streamlined opening down the midline of the drain.

PROPERTIES

- ◇ ABS one piece injection mold construction
- ◇ Easy to install
- ◇ Available in 24", 32", 36", 42", 48", 54", 60"



Tile-Over Top



Tile-In Top



Tile-Over Top

LINEAR DRAIN GRATES

DESCRIPTION

High quality american made, Compotite Linear Drain System adds modern style & functionality to any custom tile or stone shower installation. Easy installation and superior performance, these drains redefine excellence in shower construction. Drains come in sizes from 24" to 60" in length. Don't settle for ordinary upgrade to Compotite and revolutionize your installations today!

PROPERTIES

- ◇ Easy to install
- ◇ Easy to remove for cleaning
- ◇ Resistant to Mold and Fungi
- ◇ Linear grates are made with stainless steel
- ◇ Compatible with all linear systems on the market
- ◇ **Available in 7 sizes, 8 finishes, and 4 designs**
- ◇ *Minimalist available in 24" only. Contact us for more information*



Grates
Available in:
24", 32", 36", 42"
48", 54", 60"

GRATE RISERS & HAIR STRAINER

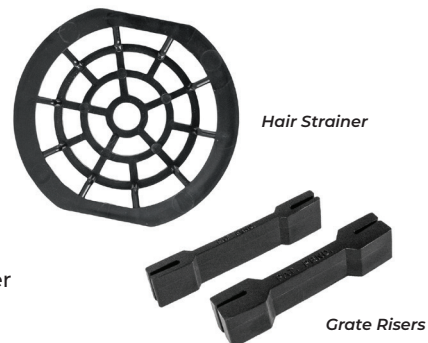
Included with all Linear Drain Grates

GRATE RISERS

- ◇ Easy twist installation to the grate
- ◇ Supports tile sizes of 2mm, 3mm, 4mm and 6mm

HAIR STRAINER

- ◇ Integrated removable hair strainer
- ◇ Easy to clean and remove



Hair Strainer

Grate Risers

LINEAR DRAIN SYSTEM

DESCRIPTION & SPECIFICATIONS

