



# Compotite

## NAKED SERIES

HIGH DENSITY EPS FOAM

**UNCOATED PREFORMED  
SHOWER ELEMENTS**

HIGH QUALITY AMERICAN MADE SHOWER ELEMENTS ADD CONSISTENCY, STYLE & FUNCTIONALITY TO ANY CUSTOM TILE OR STONE SHOWER INSTALLATION



### NICHES ♦ BENCHES ♦ CURBS ♦ SLOPE BOARDS

- ♦ Install with Composeal Aqua Shell line of Liquid Applied Waterproofing Membranes or similar to meet ANSI 118.10 requirements
- ♦ Several designs of Niches and Benches to choose from
- ♦ Quick, Consistent and Easy to Install-Saving Time and Money - especially for multi-unit projects
- ♦ Strong and Lightweight-Easy to Handle
- ♦ Constructed of Lightweight High-Density Polystyrene
- ♦ Interior and Exterior applications
- ♦ Can be used in wet areas, kitchens, hallways and other living areas as unique, functional and decorative additions



NICHES



SHOWER BENCHES



CURBS



SLOPE BOARDS

*Vintage Compotite Ad  
circa 1962*



COMPOTITE CORPORATION • 1-800-221-1056  
2556 W. Commerce St. Dallas, TX 75212



[www.compotite.com](http://www.compotite.com)

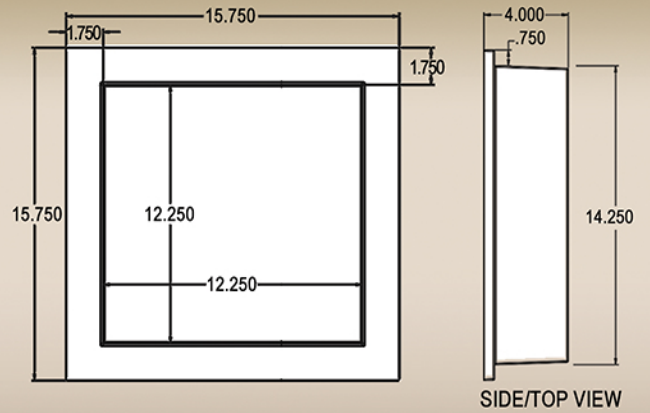
04/2019



◆ **COMPOSITE NAKED  
(UNCOATED) NICHES \***

**AVAILABLE SIZES**

12" x 12"  
Square Niche  
**CN-S12-N**



12" x 20" Rectangle Niche  
**CN-R1220-N**

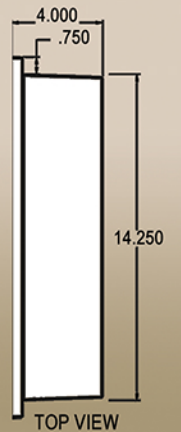
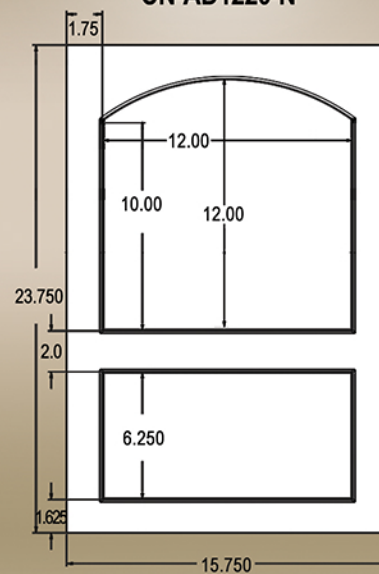
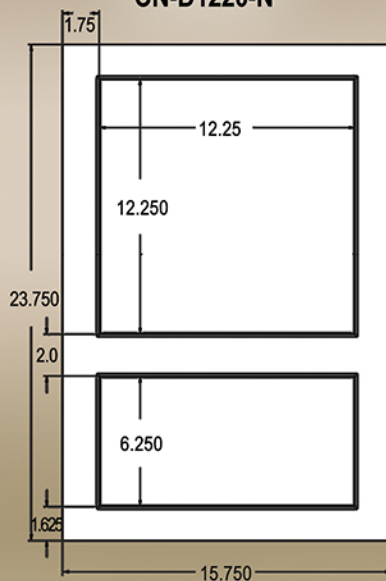
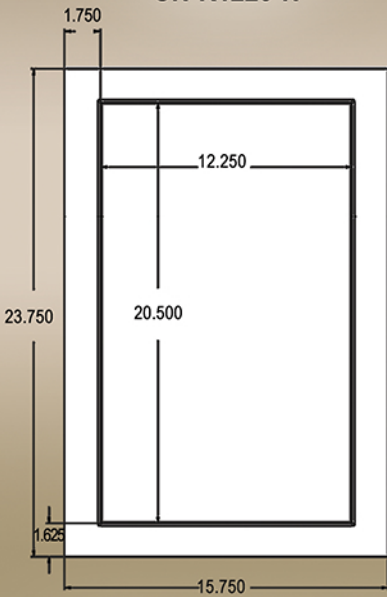


12" x 20" Double Niche  
(6x12 & 12x12)  
**CN-D1220-N**



12" x 20" Arched Double Niche  
(6x12 & 12x12)  
**CN-AD1220-N**

Side & Top View  
12" x 20" Niches



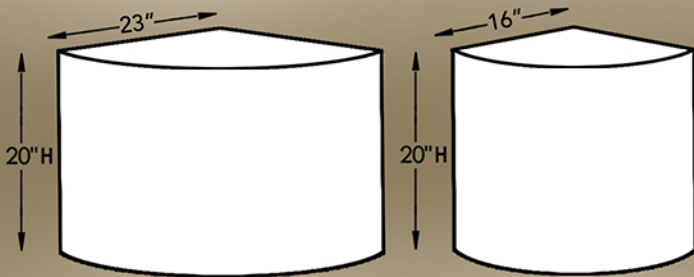
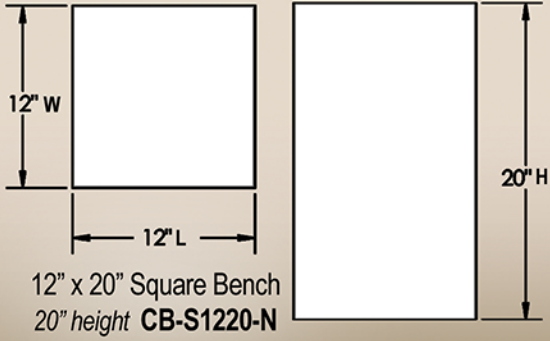
◆ **NAKED NICHE INSTALLATION – \* must be installed using Liquid Applied Waterproofing Membrane**

Compotite Preformed Naked Niches are easy to install. In general, they need to be secured in place and waterproofed with a liquid applied waterproofing membrane meeting ANSI 118.10 standards. The niches are designed to fit between studs that are 16" on center. Cross bracing can optionally be used above and below the niche to support it in place. Use polyurethane caulk, silicone or liquid applied waterproofing membrane to adhere the niche to the studs. Install 1/2" backer boards so they butt up flush to the flange of the niche. Once in place the niche can be waterproofed using Composeal Aqua Shell line of liquid applied waterproofing membrane or similar. Use at least a 4" strip of Composeal Reinforcing Fabric embedded into the liquid membrane if the seams between the backer board and the niche are wider than 1/8". Make sure you apply two liberal coats of Liquid Applied Membrane according to manufacturers instructions. Allow membrane to dry before installing your tile. Ideally, you will waterproof the entire shower enclosure using a Liquid Applied Waterproofing Membrane to ensure maximum protection from secondary water damage.



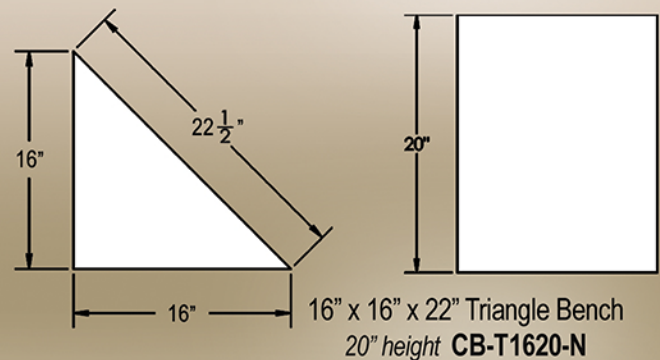
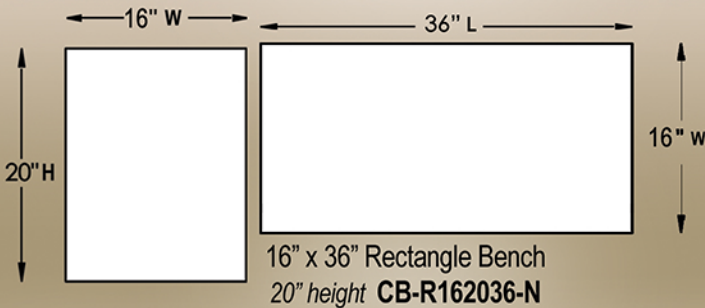
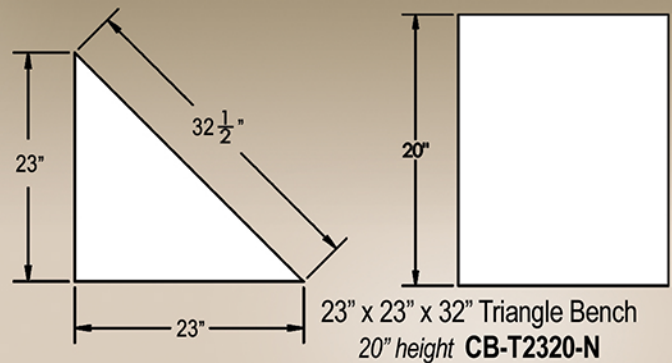
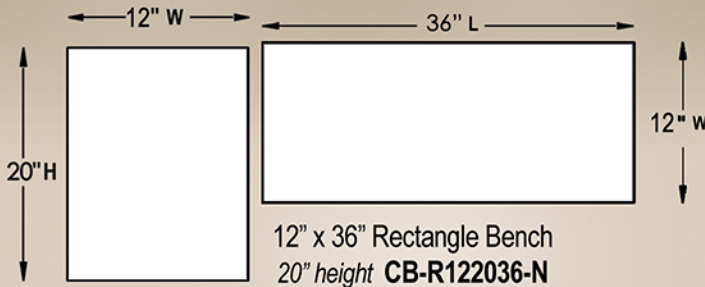
## ◆ COMPOTITE NAKED (UNCOATED) BENCHES \*

### AVAILABLE SIZES



23" x 23" x 32" Convex Bench  
20" height **CB-C2320-N**

16" x 23" x 16" Convex Bench  
20" height **CB-C1620-N**

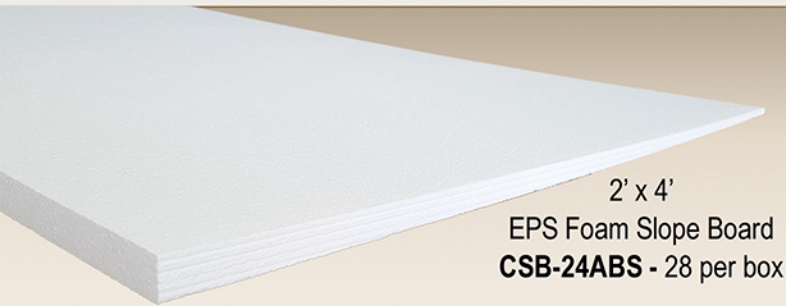


## ◆ NAKED BENCH INSTALLATION – \* *must be installed using Liquid Applied Waterproofing Membrane*

Compotite Preformed Naked Benches need to be installed with walls that are plumb and square for best results. Place the unit in the desired position to make sure a relatively snug fit will result upon installation. Prior to installation, waterproof the entire area behind the unit using Composeal Aqua Shell line of liquid applied waterproofing membrane or similar, according to manufacturers instructions. Once dry use a 1/2" square notch trowel to apply a latex modified thin set mortar to the floor and walls according to ANSI 108.10 guidelines. Slide the unit in place with maximum surface coverage. Once mortar is set, waterproof the entire unit with liquid applied waterproofing membrane using Composeal Reinforcing Fabric over all of the seams between the unit and the floor/wall. Allow membrane to dry before installing your tile. Ideally, you will waterproof the entire shower enclosure using a Liquid Applied Waterproofing Membrane to ensure maximum protection from secondary water damage.



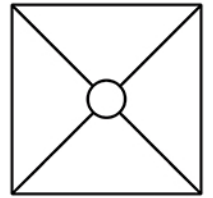
## ◆ COMPOTITE NAKED (UNCOATED) SLOPE BOARD



Slope Boards create a code approved 'pre-slope' of ¼ inch per foot towards shower drain for installation under PVC Shower Pan Membrane and a Thick-Bed mortar bed. Each installation requires 4 pieces of slope board in order to pre-slope toward the drain. Each 2' x 4' Slope Board will be cut in the shape of a triangle with the tapered end (thinner end) being the point of the triangle pointing towards the drain.

## ◆ INSTALLATION

1. Measure the length of each wall and cut the Slope Boards to the appropriate length.
2. Measure the distance from the center of your drain location to each wall.
3. Cut the Slope Board to that length measuring from the tapered (thinner) edge towards the ¾ inch edge.
4. Snap a chalk line or use a straight edge to mark and cut the Slope Board at an angle from the thicker edge to the point at the tapered end where the center of the drain is.
5. Cut out a semi-circle at the end of each slope board to accommodate for the clamping ring of the drain.
6. Slope can be extended with mortar if Slope Boards are not big enough
7. Install Composeal Blue, Grey or similar Shower Pan Membrane on top of Slope Boards according to manufactures instructions
8. After water testing, install a Curb-Over element (*see below*) and then install a thick-bed mortar bed on top of membrane according to ANSI 108.10 method
9. Once cured-set tile



Slope Board layout for pre-slope under shower pan membrane and thick-bed mortar bed

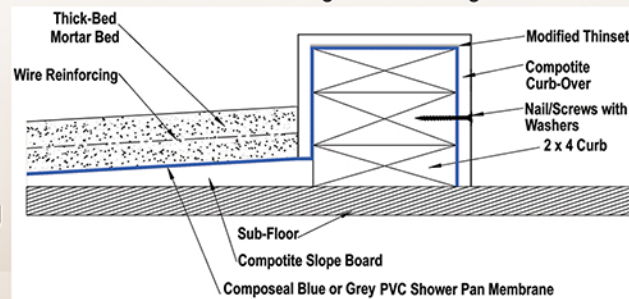
## ◆ COMPOTITE NAKED (UNCOATED) CURB-OVER



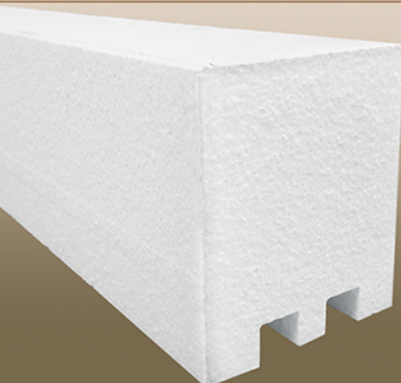
Curb-Over 4' - **CCO-4EPS-N**  
Curb-Over 8' - **CCO-8EPS-N**

### ◆ INSTALLATION - After Installing the Slope Boards and/or Shower Pan Membrane

1. Make sure shower pan membrane is installed over curb at shower entry and all corners and curb protectors are in place and have been water tested (*see manufacturer's instructions*).
2. Cut Curb-Over to length of curb at shower entry.
3. Coat top of shower pan on curb with latex modified thinset to create a leveling and bonding surface.
4. Set Curb-Over on top of the curb and press firmly in a level position making sure that there is solid contact along the length of the curb.
5. You can secure the Curb-Over by setting nail/screws with washers on the outside portion of the Curb-Over. Do not puncture waterproofing seal on top or inside of curb.



## ◆ COMPOTITE NAKED (UNCOATED) SOLID CURB



### ◆ INSTALLATION

To use a Solid High Density EPS Curb - cut the curb to the desired length. Set in place using modified thinset making sure to create maximum surface area contact. Waterproof the curb and shower enclosure using Composeal AquaShell Line of Liquid Applied Waterproofing Membranes or 15 mil Bonded Sheet Membrane according to manufacturer's instructions.

Solid Curb 4' - **CCS-4EPS-N**  
Solid Curb 8' - **CCS-8EPS-N**





# Compotite

## NICHES & BENCHES

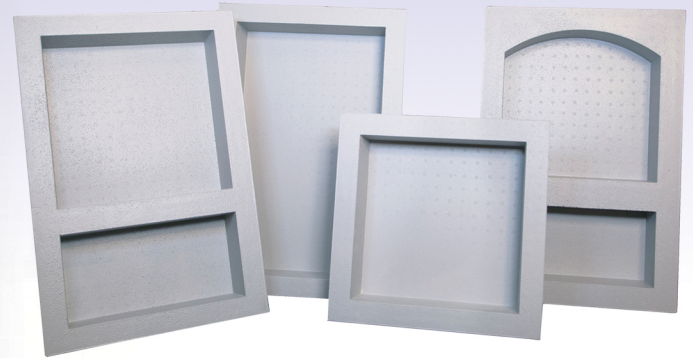
**WATERPROOF & READY TO TILE**  
**EASY TO INSTALL**

**HIGH QUALITY AMERICAN MADE PREFORMED NICHES & BENCHES ADD STYLE & FUNCTIONALITY TO ANY CUSTOM TILE OR STONE SHOWER INSTALLATION**



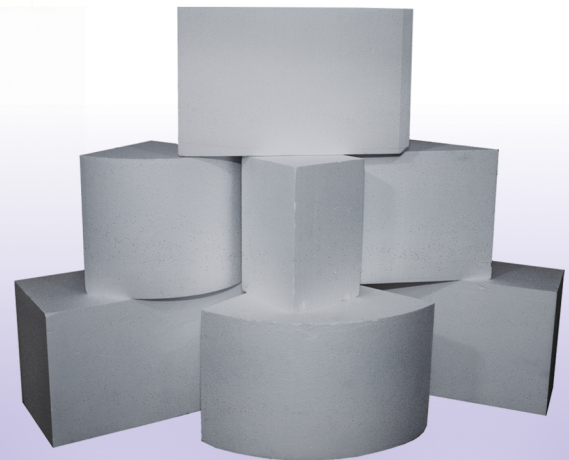
◆ **AVAILABLE SIZES**

### NICHES



- 12" x 20" Double Niche
- 12" x 12" Square Niche
- 12" x 20" Rectangle Niche
- 12" x 20" Arched Double Niche

### BENCHES



- 12" x 12" x 20" Square Bench
- 23" x 23" x 20" Large Triangle Bench
- 12" x 36" x 20" Small Rectangle Bench
- 16" x 16" x 20" Small Convex Bench
- 16" x 36" x 20" Large Rectangle Bench
- 23" x 23" x 20" Large Convex Bench
- 16" x 16" x 20" Small Triangle Bench

◆ **DESCRIPTION**

- Waterproof Coating is Ready to Tile & Meets ANSI 118.10 Requirements
- Strong & Lightweight - Easy to Handle & Install
- Constructed of Lightweight High-Density Polystyrene
- Interior & Exterior Applications
- Can also be Used in Kitchens, Hallways & Other Living Areas as a Unique Functional & Decorative Addition



COMPOTITE CORPORATION • 1-800-221-1056  
2556 W. Commerce St. Dallas, TX 75212



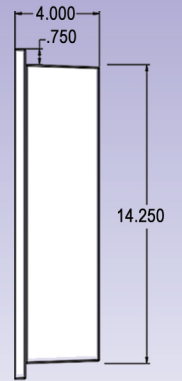
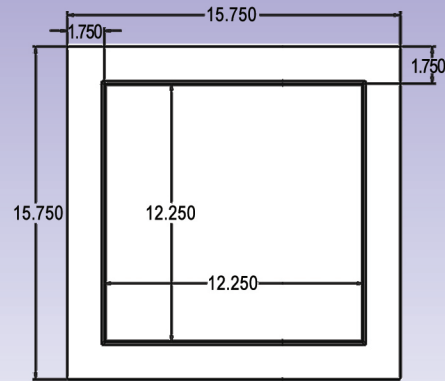
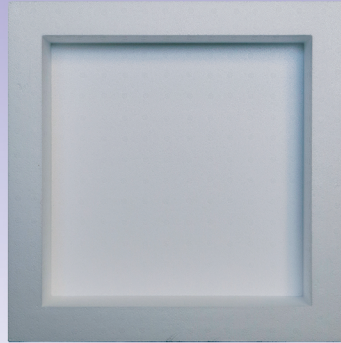
[www.compotite.com](http://www.compotite.com)  
06/2021



# ◆ COMPOTITE COATED NICHE

## AVAILABLE SIZES & STYLES:

12" x 12"  
Square Niche  
**CN-S12**



SIDE/TOP VIEW



12" x 20" Rectangle Niche  
**CN-R1220**

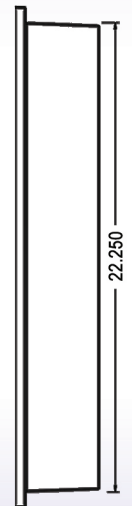


12" x 20" Double Niche  
(6x12 & 12x12)  
**CN-D1220**

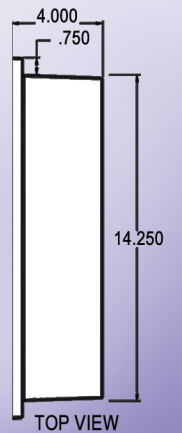
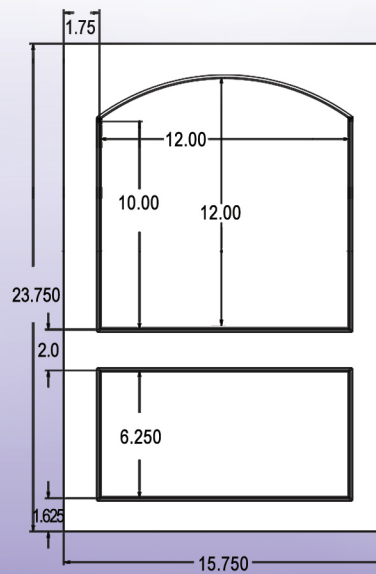
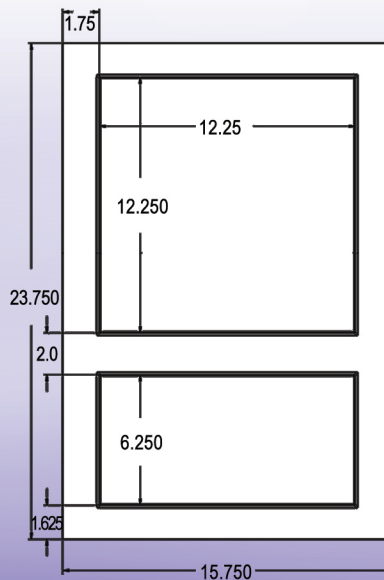
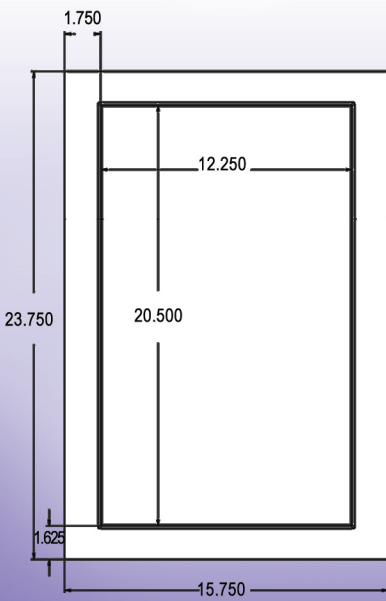


12" x 20" Arched Double Niche  
(6x12 & 12x12)  
**CN-AD1220**

Side & Top View  
12" x 20" Niches



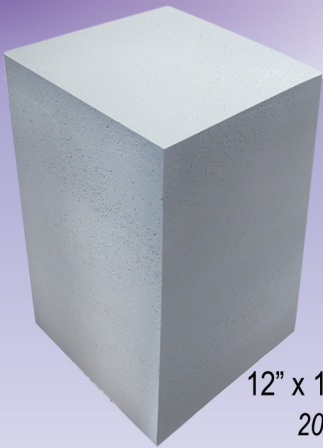
SIDE VIEW



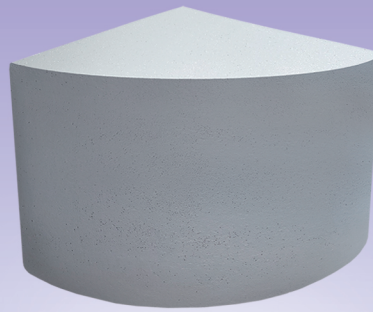
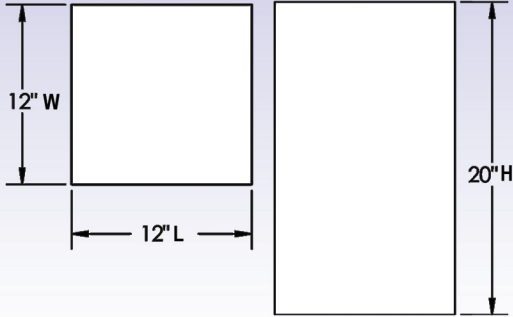
TOP VIEW



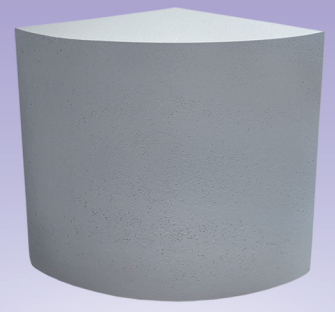
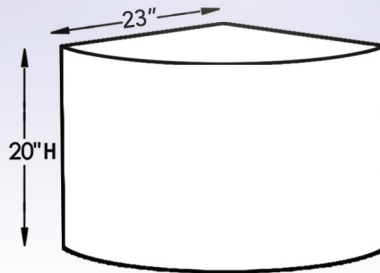
◆ **COMPOTITE COATED BENCHES**



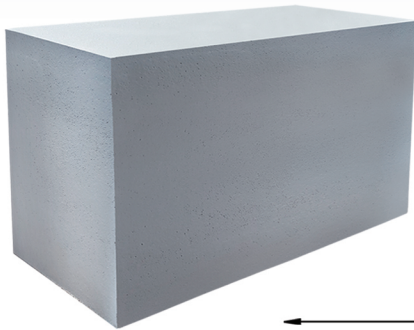
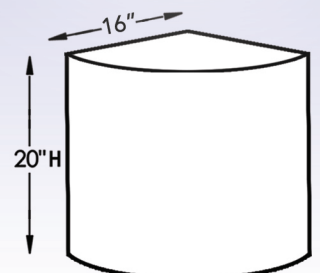
12" x 12" x 20" Square Bench  
20" height **CB-S1220**



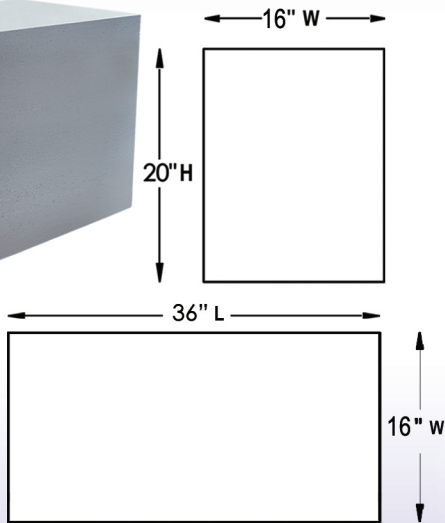
23" x 23" x 20" Convex Bench  
20" height **CB-C2320**



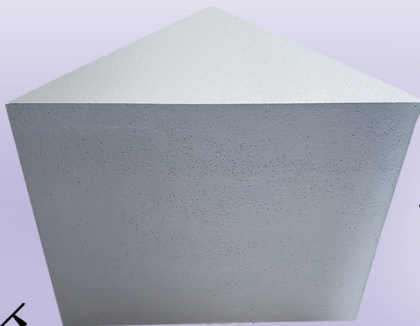
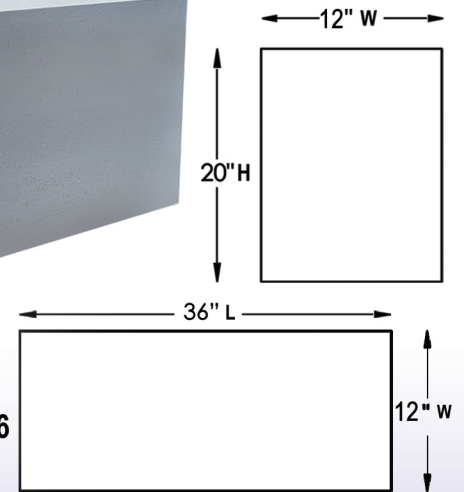
16" x 16" x 20" Convex Bench  
20" height **CB-C1620**



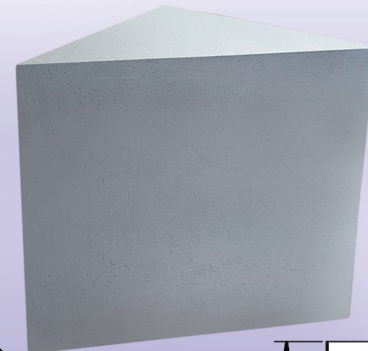
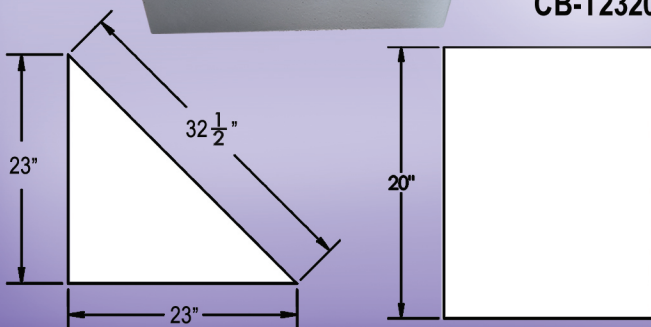
16" x 36" x 20"  
Rectangle Bench  
20" height **CB-R162036**



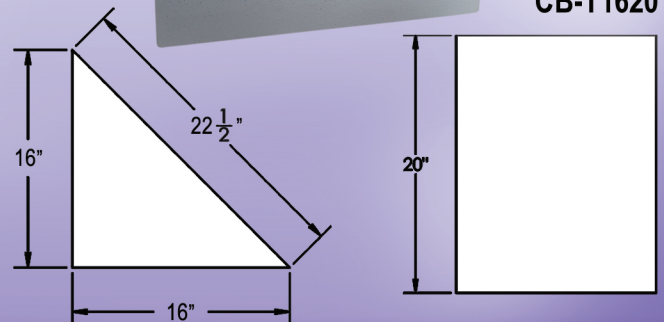
12" x 36" x 20"  
Rectangle Bench  
20" height **CB-R122036**



23" x 23" x 20"  
Triangle Bench  
20" height  
**CB-T2320**



16" x 16" x 20"  
Triangle Bench  
20" height  
**CB-T1620**

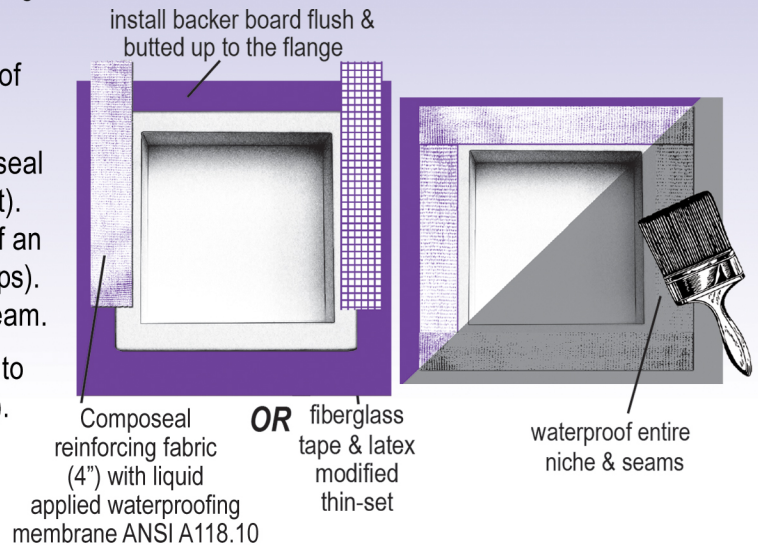
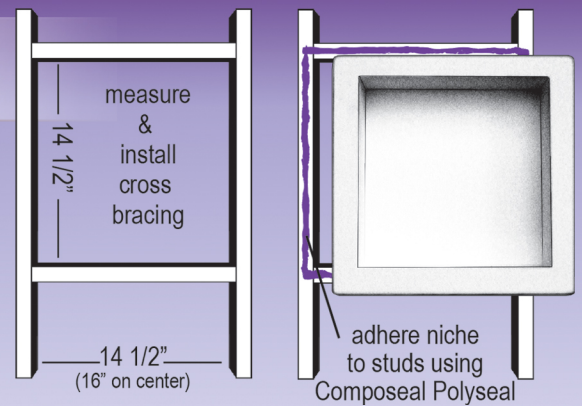




## ◆ NICHE OPEN WALL INSTALLATION

\* **MUST BE INSTALLED USING LIQUID APPLIED WATERPROOFING MEMBRANE**

- Determine the proper height and placement of the niche between the studs and mark them appropriately.
- Install horizontal cross bracing to support the top and bottom of unit (This is recommended but not required for proper installation).
- Adhere niche to studs and cross members using Composeal Polyseal or other polyurethane caulk, silicone or liquid applied waterproofing membrane to adhere the niche to the studs on the back of the flange and contact areas.
- Install ½ inch backer board tight and flush to the ½ inch flange of the niche.
- Seal the seam between backer board and flange using Composeal AquaShell RS or other waterproofing membrane (liquid or sheet). With liquid applied membrane, if the seam is greater than 1/8 of an inch, use 8" Composeal Reinforcing fabric (can be cut into 4" strips). Composeal Polyseal can also be used to create a water tight seam.
- Alternatively: Seam can be sealed using the same method used to seam backer board (fiberglass tape and polymer fortified thinset).
- Install tile according to TCNA guidelines.



**For further installation information: [www.compotite.com](http://www.compotite.com)**

## ◆ COATED BENCH INSTALLATION

- Compotite Coated Benches are waterproof and ready to install.
- The bench needs to be installed with walls that are plumb and square for best results. Place the unit in the desired position to make sure a relatively snug fit will result upon installation.
- Prior to installation, waterproof the entire area behind the unit using Composeal Aqua Shell RS Liquid Applied Waterproofing Membrane or similar, according to manufacturers instructions.
- Once dry use a ½" square notch trowel to apply a latex modified thin set mortar to the floor and walls according to ANSI 108.10 guidelines. Slide the unit in place with maximum surface coverage.
- Once mortar is set apply a minimum of 4 inch strips of Composeal Reinforcing Fabric with Liquid Applied Waterproofing Membrane to each seam between the unit and the wall and floor.
- Allow membrane to dry before installing your tile. Ideally, you will waterproof the entire shower enclosure using a Liquid Applied Waterproofing Membrane to ensure maximum protection from secondary water damage.

